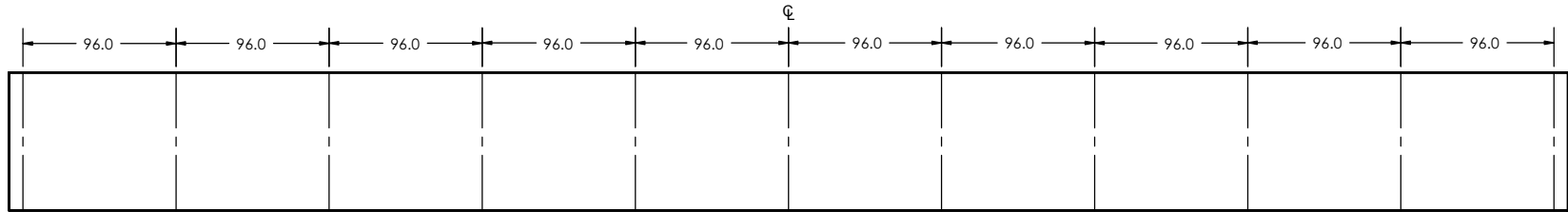
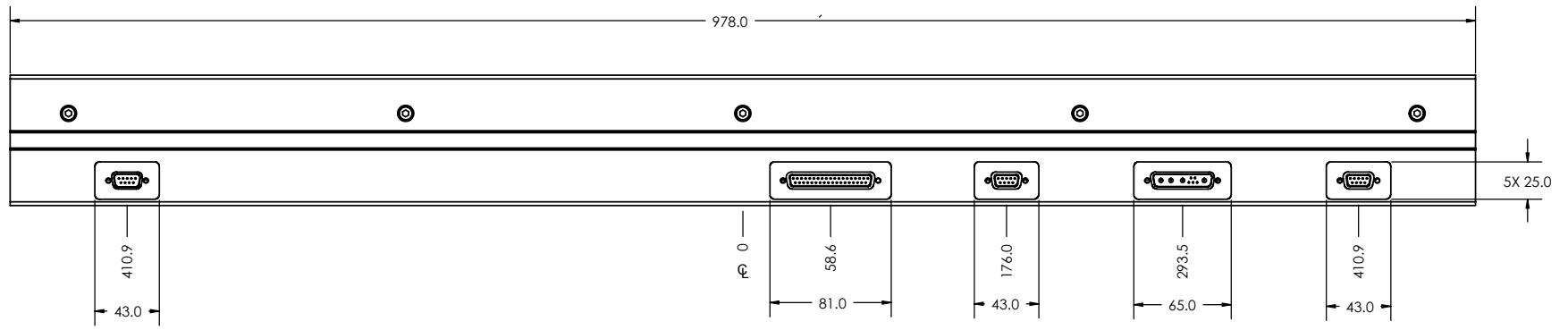


MMI APPROVED FOR RELEASE

UNLESS OTHERWISE SPECIFIED			INTERPRET DRAWING PER ANSI Y14.5M-1982			REV	ECO	APPROVED	DATE	
ALL DIMENSIONS IN MM	SURFACE FINISH 1.6/	TOLERANCES	DO NOT SCALE DRAWING	SHEET SIZE A3	 THIRD ANGLE PROJECTION	PROJECT	DATE	MagneMotion Inc.		
BREAK ALL SHARP EDGES		X.XX ± 0.25	CAD PKG. SolidWorks 2006	SCALE 1.5:1		QSM03	2006-14-2	20 Sudbury Road Acton, MA 01720 USA (978) 461-5090		
CLEAN AND DEBURR		X.X ± 0.50 X ± 0.75 DEG ± 0.5°	CAD FILE 701-0182-00.SLDDRW			ENGINEER M.Bottasso	CHECKED J.Mendenhall	CAGE CODE 1LR11	TITLE QUICKSTICK 100, 1M, MECHANICAL ICD	
							MODELED -	DRAWN -	DWG NO. 701-0182-00	REV 1
								SHEET 1 OF 2		



VIEW A-A
MOTOR BLOCK REGIONS
SCALE 1 : 3
SEE QUICKSTICK DOCUMENTATION
FOR MOTOR BLOCK DEFINITION



VIEW B-B
SCALE 1 : 3
SEE ELECTRICAL ICD FOR
CONNECTOR DETAIL

MMI APPROVED FOR RELEASE

MagneMotion Inc. 20 Sudbury Road Acton, MA 01720 USA (978) 461-5090	TITLE	QUICKSTICK 100, 1M, MECHANICAL ICD	REV	1
	MATERIAL	-		
	DWG NO.	701-0182-00	SHEET 2 OF 2	