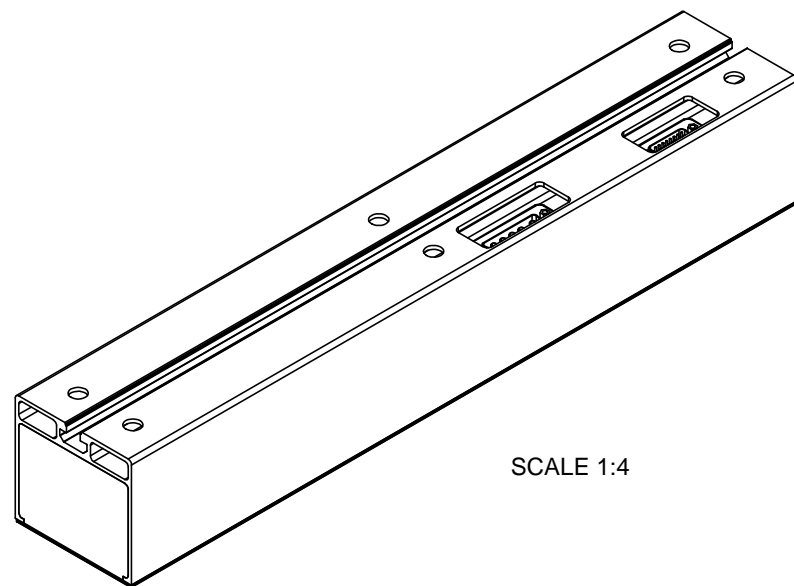
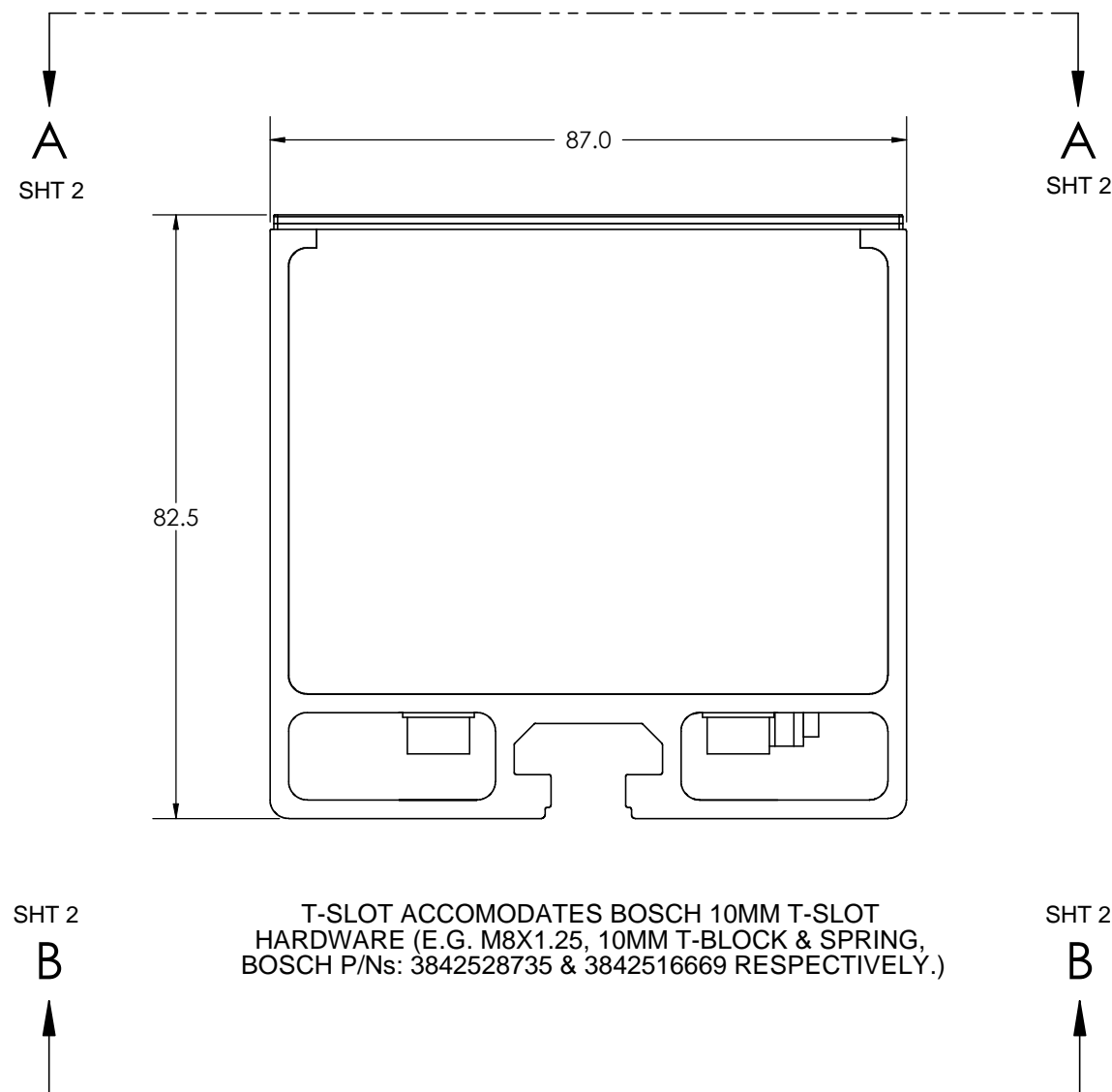


SCALE 1:4



SCALE 1:4



NOTES:

- 1. SEE 703-0345-01 FOR ICM (INTERFACE CONTROL MODEL).

MMI APPROVED FOR RELEASE

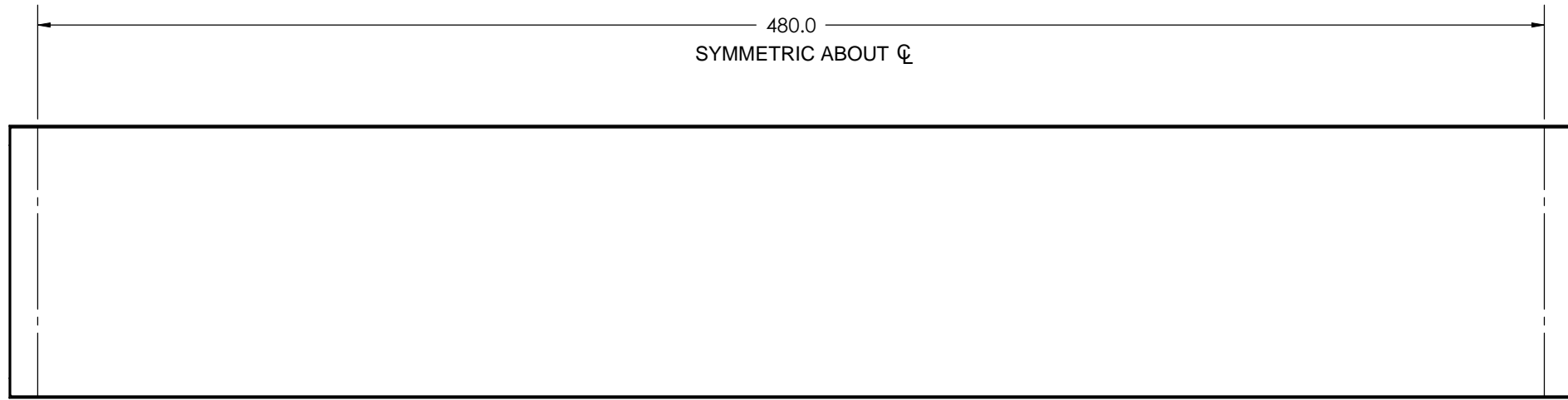
REV	ECO NUMBER	DATE	APPROVED
A	0826	2007-12-12	MWB

REVISION HISTORY

UNLESS OTHERWISE SPECIFIED			<b>MAGNEMOTION CONFIDENTIAL</b> Copyright© 2007 MagneMotion Inc. The information contained in this drawing is the sole property of MagneMotion Inc. Any reproduction in part or whole without the written permission of MagneMotion is prohibited
ALL DIMENSIONS IN MM	SURFACE FINISH	TOLERANCES	
BREAK ALL SHARP EDGES	1.6 ✓	X.XX ± 0.25 X.X ± 0.50 X. ± 0.75 DEG ± 0.5° TORQUE ± 25%	
CLEAN AND DEBURR			

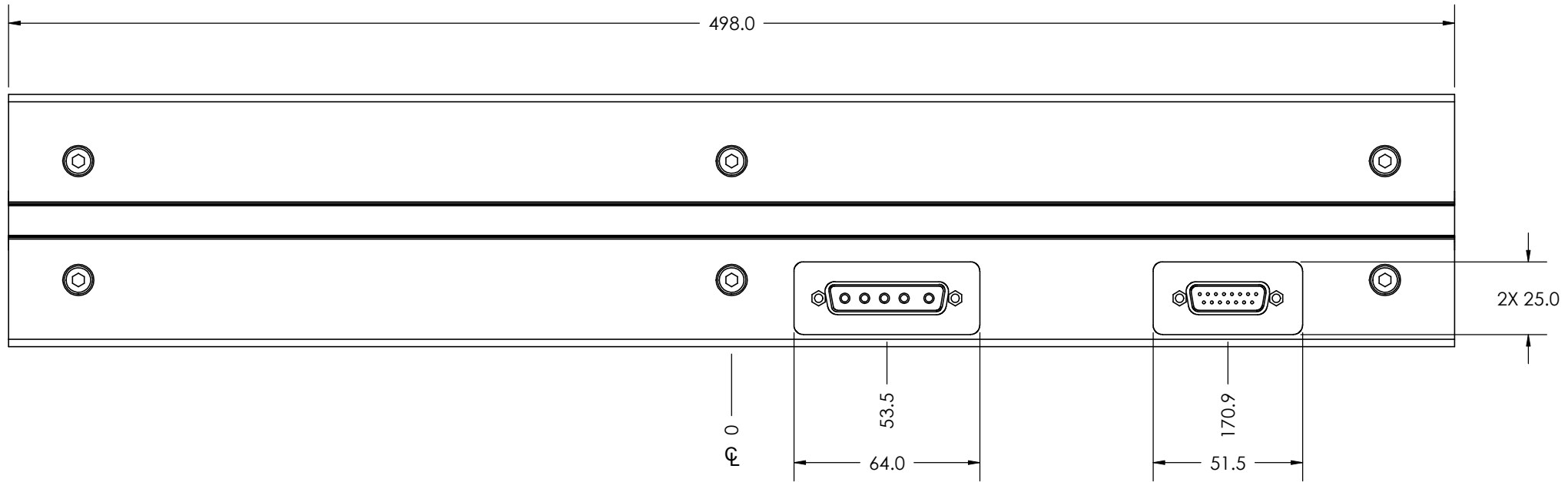
INTERPRET DRAWING PER ANSI Y14.5M-1982			
DO NOT SCALE DRAWING	SHEET SIZE B	PROJECT QSM02	DATE 2007-3-28
CAD PKG. SolidWorks 2006	SCALE 1:1	ENGINEER MBOTTASSO	CHECKED JMORIN
CAD FILE 701-0345-01.SLDDRW			

<b>MagneMotion Inc.</b> 20 Sudbury Road Acton, MA 01720 USA (978) 461-5090		TITLE	REV
CAGE CODE 1LR11		QSHT, 1/2M, MECHANICAL ICD	A
DWC NO. 701-0345-01		MATERIAL 700-0345-01	
SHEET 1 OF 2			



SECTION A-A  
MOTOR BLOCK REGIONS  
SCALE 1:2

SEE QUICKSTICK DOCUMENTATION  
FOR MOTOR BLOCK DEFINITION



VIEW B-B  
SCALE 1:2  
ROTATED 90°CW

SEE ELECTRICAL ICD FOR  
CONNECTOR DETAIL

**MMI APPROVED FOR RELEASE**

**MagneMotion Inc.**  
20 Sudbury Road  
Acton, MA 01720 USA  
(978) 461-5090

TITLE	QSHT, 1/2M, MECHANICAL ICD	REV	A
MATERIAL	700-0345-01		
DWG NO.	701-0345-01		
			SHEET 2 OF 2