

MMI APPROVED FOR RELEASE

MagneMotion Inc.

UNLESS OTHERWISE SPECIFIED		
ALL DIMENSIONS IN MM	SURFACE FINISH	TOLERANCES
BREAK ALL SHARP EDGES	1.6 ✓	X.XX ± 0.25 X.X ± 0.50 X ± 0.75 DEG ± 0.5°
CLEAN AND DEBURR		

MAGNEMOTION CONFIDENTIAL
 Copyright 2006 MagneMotion Inc.
 The information contained in this drawing is the sole property of MagneMotion Inc. Any reproduction in part or whole without the written permission of MagneMotion is prohibited

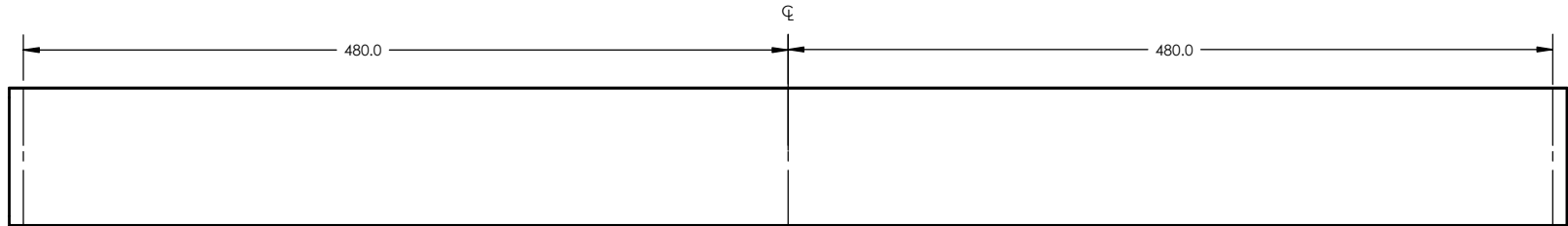
DO NOT SCALE DRAWING		SHEET SIZE	A3
CAD PKG.	SolidWorks 2006	SCALE	1.5:1
CAD FILE	701-0363-00.SLDDRW		



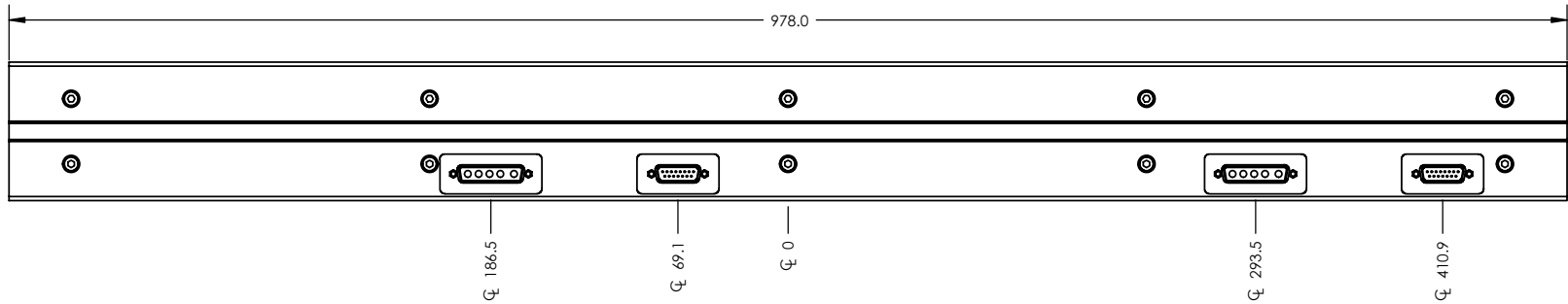
PROJECT	QSHT	DATE	2006-9-28
ENGINEER	MBOTTASSO	CHECKED	JMORIN

20 Sudbury Road
 Acton, MA 01720 USA
 (978) 461-5090

REV	ECO NUMBER	DATE	APPROVED
REVISION HISTORY			
TITLE			REV
QSHT, WITH D-SUBS, 1M, MECHANICAL ICD			A
MATERIAL			SEE BOM
CAGE CODE		1LR11	DWG NO. 701-0363-00
			SHEET 1 OF 2



VIEW A-A
 MOTOR BLOCK REGIONS
 SCALE 1 : 3
 SEE QUICKSTICK DOCUMENTATION
 FOR MOTOR BLOCK DEFINITION



VIEW B-B
 SCALE 1 : 3
 SEE ELECTRICAL ICD FOR
 CONNECTOR DETAIL

MMI APPROVED FOR RELEASE

MagneMotion Inc. 20 Sudbury Road Acton, MA 01720 USA (978) 461-5090	TITLE	QSHT, WITH D-SUBS, 1M, MECHANICAL ICD	REV A
	MATERIAL	SEE BOM	
	DWG NO.	701-0363-00	SHEET 2 OF 2