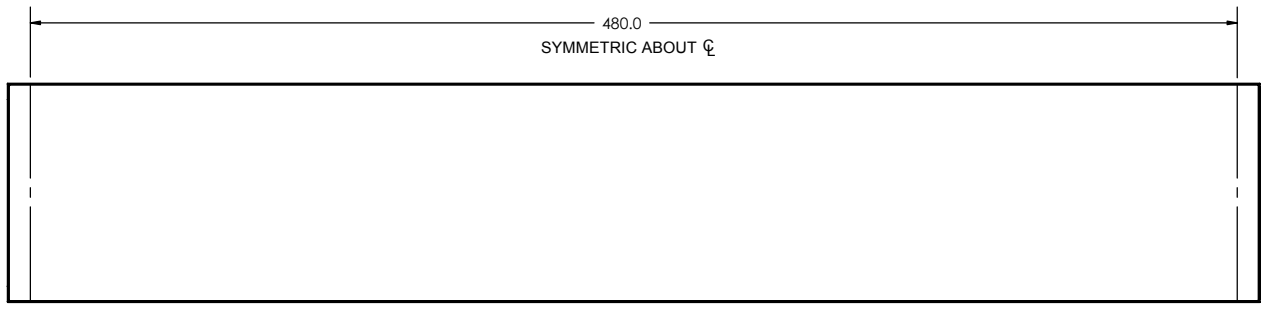
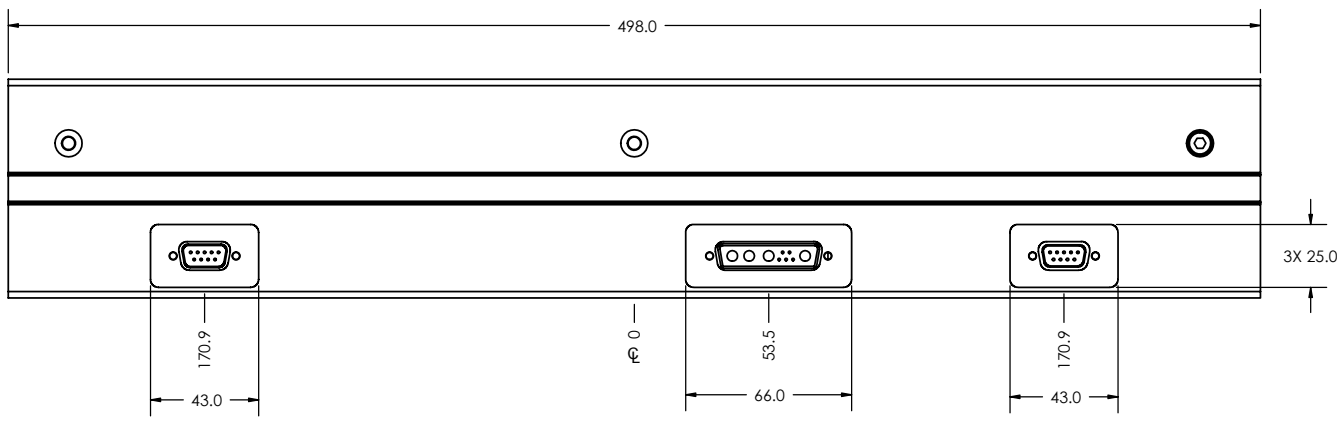


MMI APPROVED FOR RELEASE

UNLESS OTHERWISE SPECIFIED			INTERPRET DRAWING PER ANSI Y14.5M-1982			REV	ECO	APPROVED	DATE	
ALL DIMENSIONS IN MM	SURFACE FINISH 1.6/	TOLERANCES	DO NOT SCALE DRAWING	SHEET SIZE A3	PROJECT QSM03	DATE 2006-4-5		MagneMotion Inc. 20 Sudbury Road Acton, MA 01720 USA (978) 461-5090		
BREAK ALL SHARP EDGES		X.XX ± 0.25 X.X ± 0.50 X ± 0.75 DEG ± 0.5*	CAD PKG. SolidWorks 2006	SCALE 1.5:1	ENGINEER M.Bottasso	CHECKED		TITLE QUICKSTICK 500, 1/2M, MECHANICAL ICD		
CLEAN AND DEBURR			CAD FILE 701-0080-01.SLDDRW		THIRD ANGLE PROJECTION	MODELED	DRAWN	CAGE CODE 1LR11	DWG NO. 701-0080-01	REV 1
								MATERIAL -		SHEET 1 OF 2



VIEW A-A  
MOTOR BLOCK REGION  
SCALE 1 : 2  
SEE QUICKSTICK DOCUMENTATION  
FOR MOTOR BLOCK DEFINITION



VIEW B-B  
SCALE 1 : 2  
SEE ELECTRICAL ICD FOR  
CONNECTOR DETAIL

MMI APPROVED FOR RELEASE

<b>MagneMotion Inc.</b> 20 Sudbury Road Acton, MA 01720 USA (978) 461-5090	TITLE	QUICKSTICK 500, 1/2M, MECHANICAL ICD	REV	1
	MATERIAL			
DWG NO.	701-0080-01	SHEET 2 OF 2		