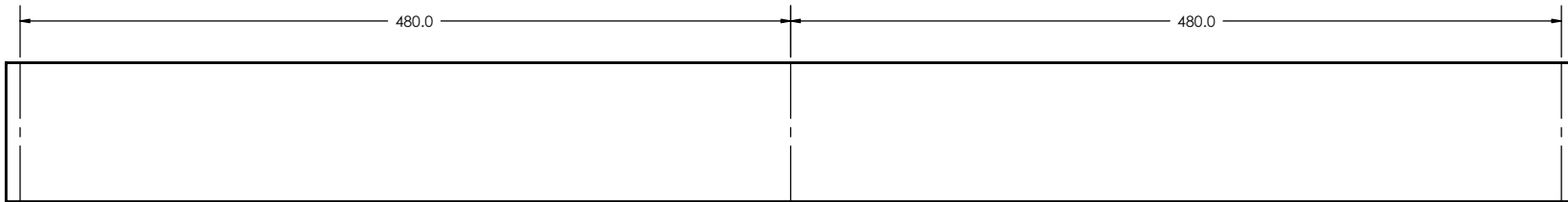
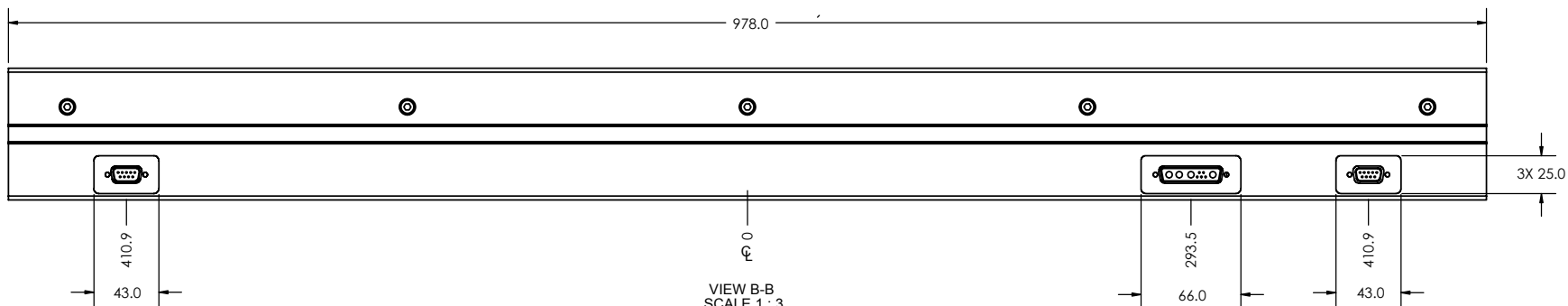


MMI APPROVED FOR RELEASE

UNLESS OTHERWISE SPECIFIED			INTERPRET DRAWING PER ANSI Y14.5M-1982			REV	ECO	APPROVED	DATE
ALL DIMENSIONS IN MM	SURFACE FINISH 1.6/	TOLERANCES	DO NOT SCALE DRAWING	SHEET SIZE A3	 THIRD ANGLE PROJECTION	PROJECT	DATE	MagneMotion Inc. 20 Sudbury Road Acton, MA 01720 USA (978) 461-5090	
BREAK ALL SHARP EDGES		X.XX ± 0.25	CAD PKG. SolidWorks 2006	SCALE 1.5:1		ENGINEER M.Bottasso	CHECKED	TITLE QUICKSTICK 500, 1M, MECHANICAL ICD	
CLEAN AND DEBURR		X.X ± 0.50 X ± 0.75 DEG ± 0.5°	CAD FILE 701-0080-00.SLDDRW	MODELED		DRAWN	CAGE CODE 1LR11	DWG NO. 701-0080-00	MATERIAL - SHEET 1 OF 2



VIEW A-A
 MOTOR BLOCK REGIONS
 SCALE 1 : 3
 SEE QUICKSTICK DOCUMENTATION
 FOR MOTOR BLOCK DEFINITION



VIEW B-B
 SCALE 1 : 3
 SEE ELECTRICAL ICD FOR
 CONNECTOR DETAIL

MMI APPROVED FOR RELEASE

MagneMotion Inc. 20 Sudbury Road Acton, MA 01720 USA (978) 461-5090	TITLE	QUICKSTICK 500, 1M, MECHANICAL ICD	REV	1
	MATERIAL			
DWG NO.	701-0080-00	SHEET 2 OF 2		