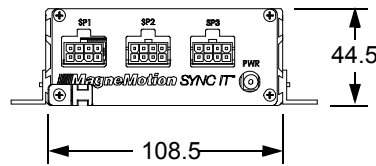
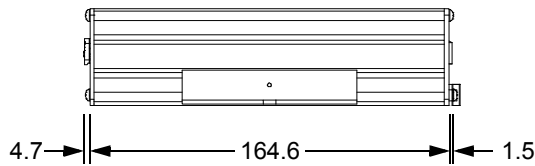
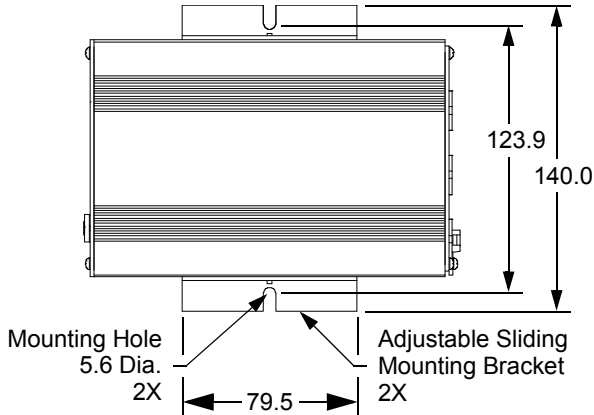


# MagneMotion SYNC IT™ Controller



- Provides high-speed communication between the Host Controller and specific motors for direct control of vehicles by the Host Controller.
- Supports up to three sync motors with a maximum of 20 vehicles.
  - MagneMover® LITE – Maximum of 10 vehicles within a 1 meter motor.
  - QuickStick® – Maximum of 5 vehicles within a 1 meter motor.
- IP30 (IEC 60529) ingress protection rating.

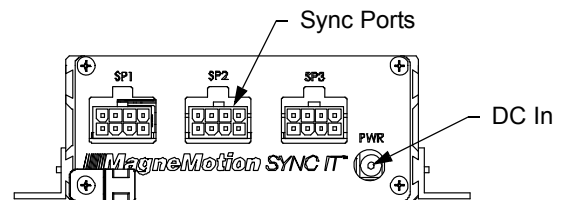
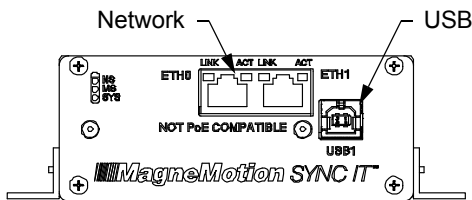
## Physical Specifications

**Dimensions\*:** 108.5 W x 44.5 H x 170.8 D  
**Weight:** 0.4 kg

\* All dimensions are millimeters.

## Environmental Specifications

**Ambient Temperature:** 0 °C to 50 °C  
**Relative Humidity:** 0% to 85%, non-condensing



## Electrical Specifications

**Power Rating, Max†:** 18 - 42 VDC, 5 W (Power Jack, 2.0 mm).  
(MM LITE – Power supplied by motor, QS – Remote power supply required)

**Network:** Standard 10/100 BaseTx, full duplex, Ethernet (RJ-45, Female).

**USB:** For setting the IP address and performing software upgrades (USB, Type B, Male)

**Sync Ports:** For connection to motors (Mini-Fit, Male)

† Based on operating mode.